

Y=46,155

Y=46,160

Y=46,155

Y=46,150

Y=46,145

X=24,035

X=24,030

X=24,025

X=24,020

X=24,015

X=24,010

X=24,005

X=24,000

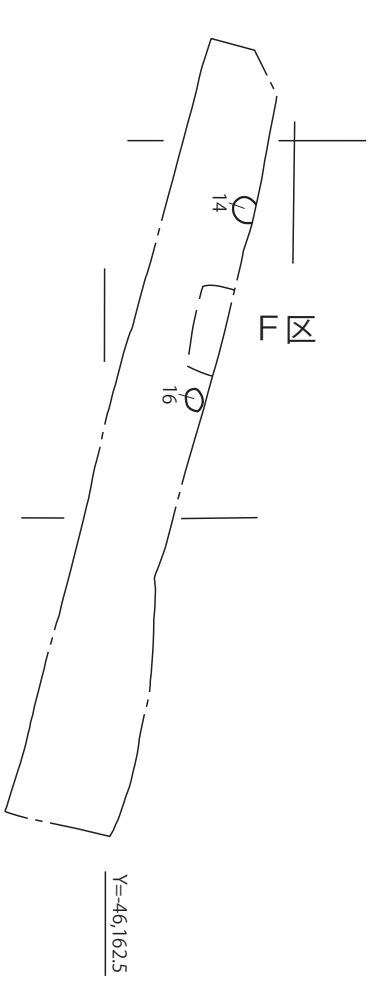
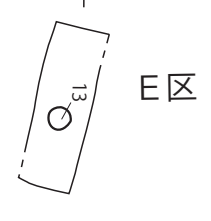
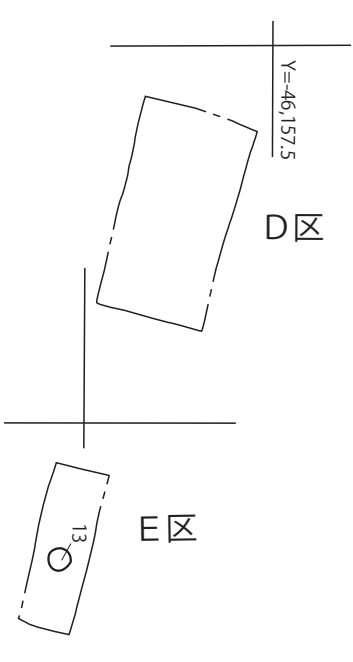
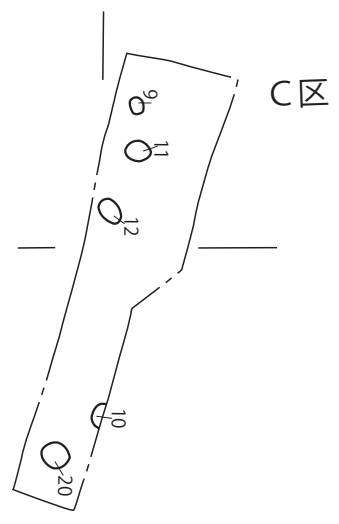
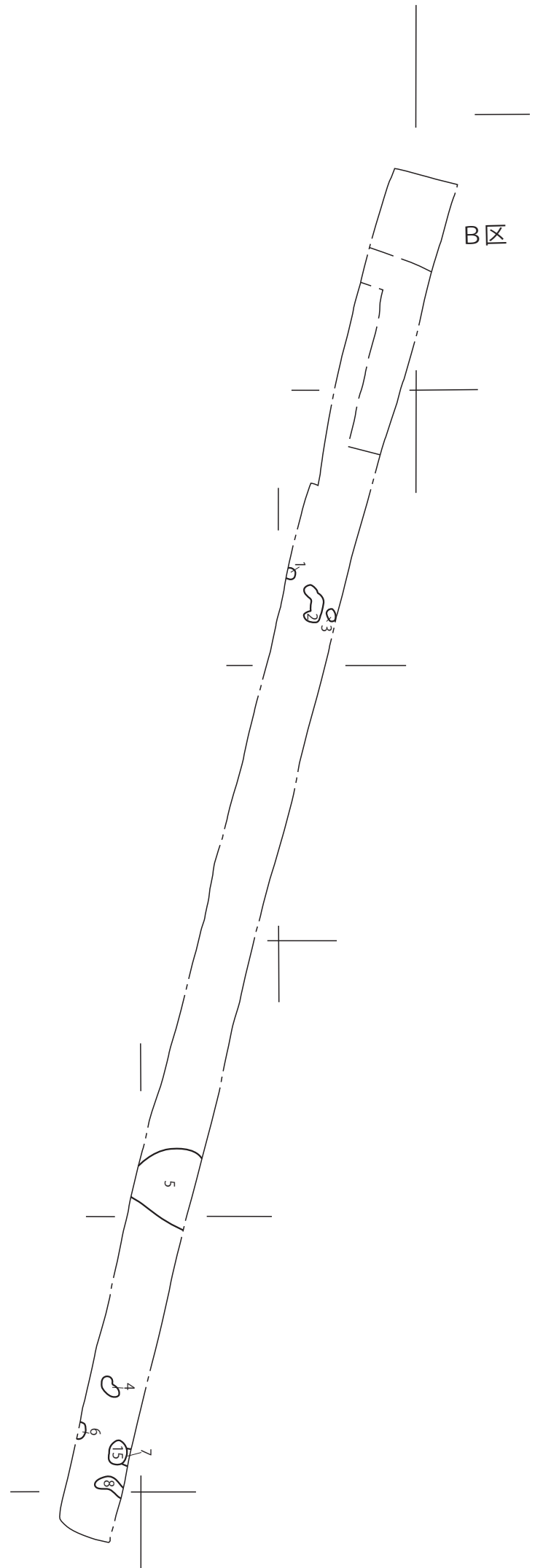
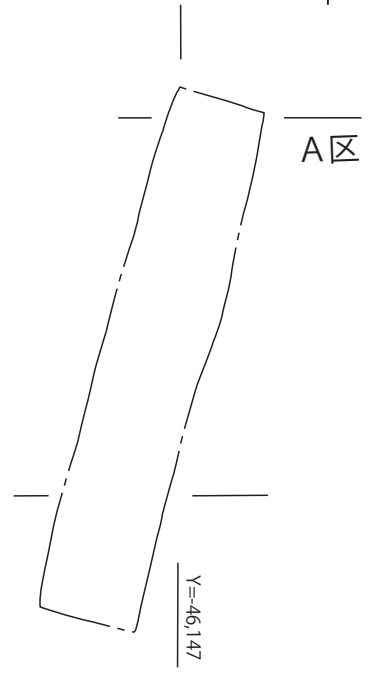
X=23,995

X=23,990

X=23,985

X=23,980

X=23,755



羽犬塚中道遺跡第4次調査 遺構略測図(1 / 100)